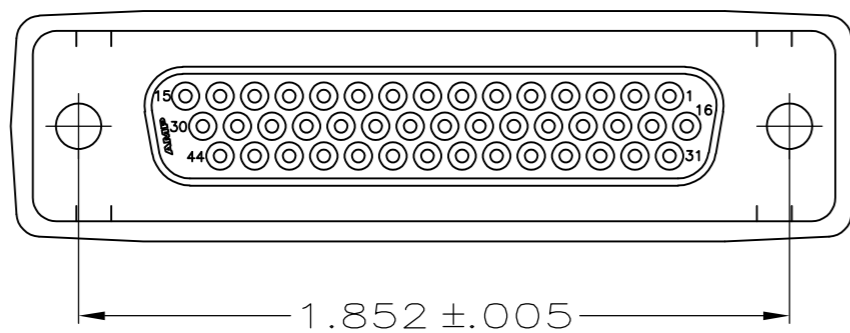
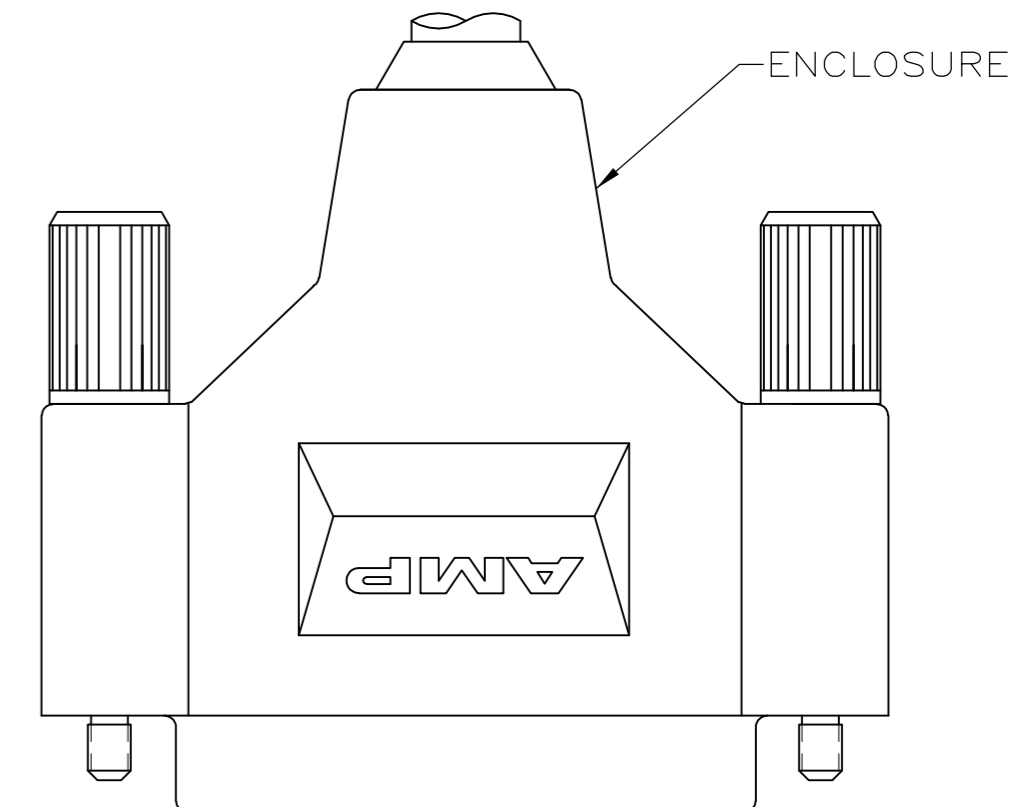
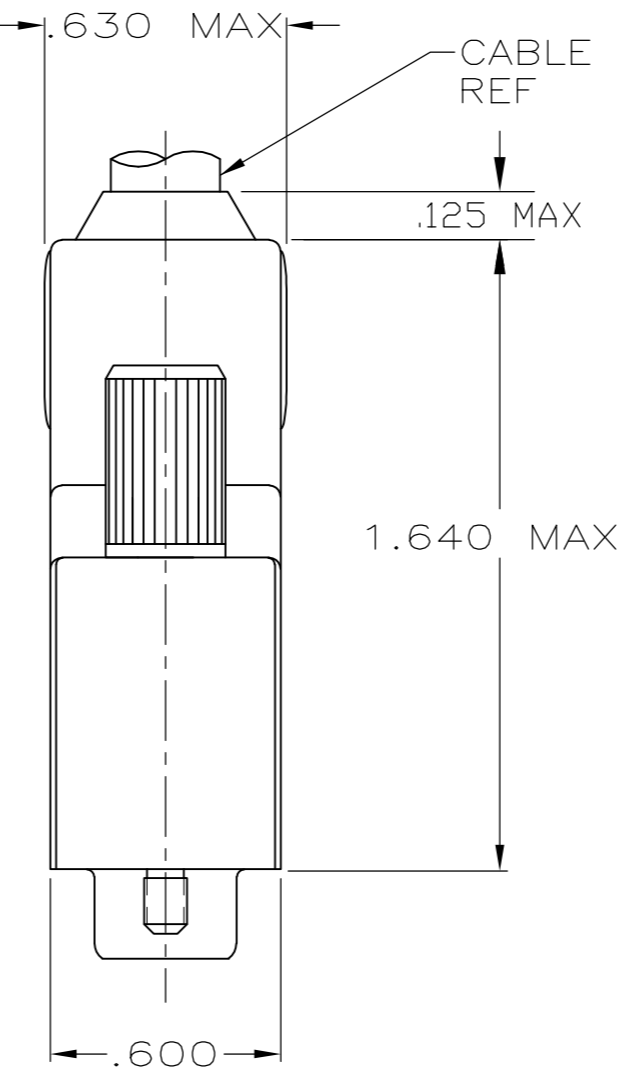
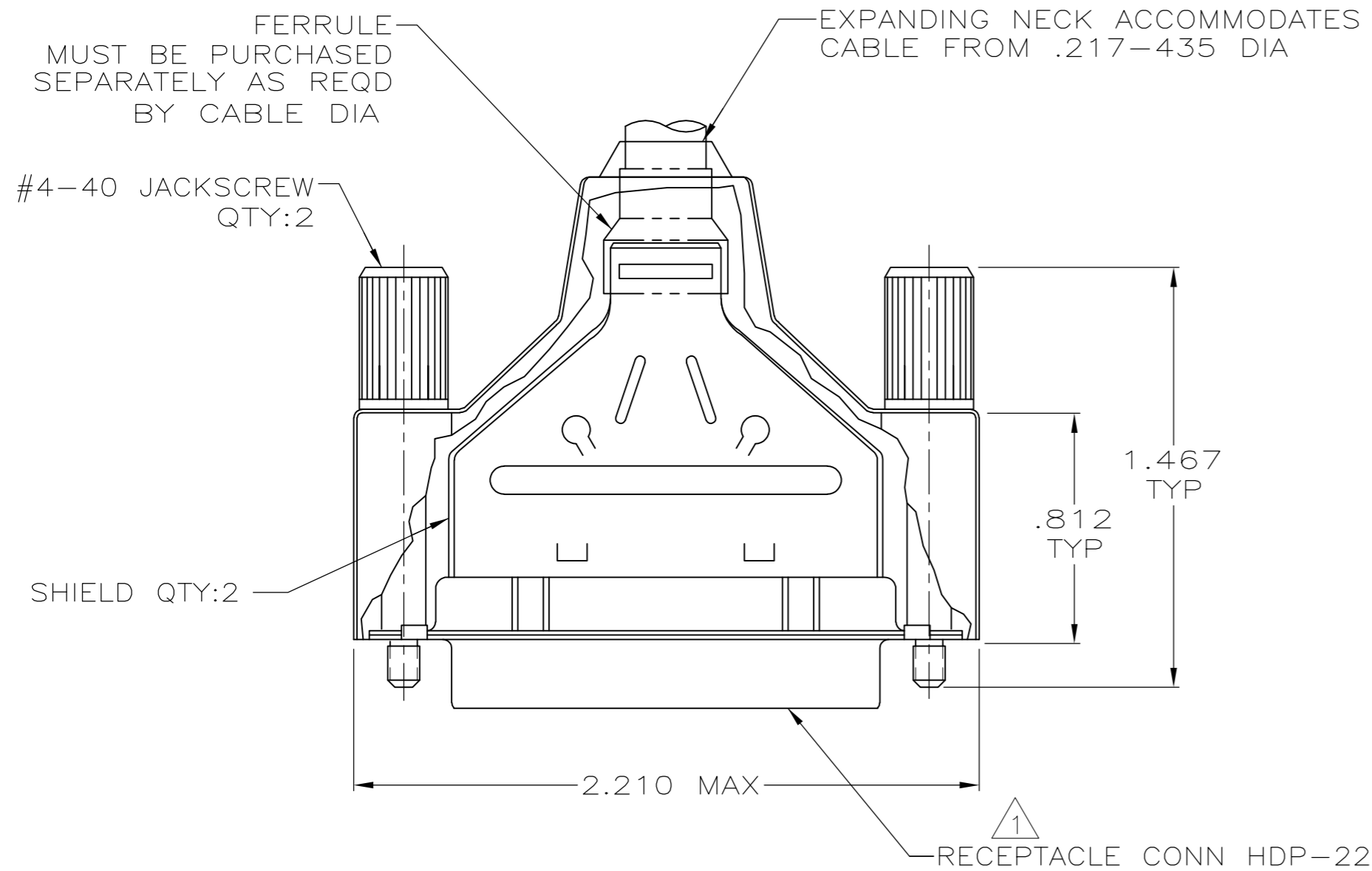


THIS DRAWING IS UNPUBLISHED. RELEASED FOR PUBLICATION
 © COPYRIGHT BY TYCO ELECTRONICS CORPORATION. ALL RIGHTS RESERVED.

LOC	DIST	REVISIONS			
P	LTR	DESCRIPTION	DATE	DWN	APVD
GP	00	A	REVISED PER ECO-08-003213	05FEB08	BM CR



- 1 RECEPTACLE ACCEPTS SIZE 22 DF SOCKET CONTACTS. CONTACTS MUST BE PURCHASED SEPARATELY.
- 2. ALL PARTS SHIPPED UNASSEMBLED.
- 3. COMPONENTS INDIVIDUALLY BULK PACKAGED.
- 4 ENCLOSURE: ELASTOMER, STYRENE POLYOLEFIN OR PVC, COLOR BLACK. INSERTS: FLAME RETARDANT GLASS FILLED, 94V-0 RATED, COLOR BLACK. SHELLS & SHIELDS: CARBON STEEL PER ASTM A109. JACKSCREWS: ZINC ALLOY
- 5 SHELLS & SHIELDS: .000200 MIN TIN PLATE OVER .000100 MIN COPPER UNDERPLATE. JACKSCREWS: ZINC PHOSPHATE COATING, BLACK.

5748641

5748641-1
PART NUMBER

THIS DRAWING IS A CONTROLLED DOCUMENT.		DWN 12-21-04 L. VARELA - DOCK5	Tyco Electronics Corporation Harrisburg, PA 17105-3608	
DIMENSIONS: INCHES		CHK 12-21-04 J. GERACE	NAME	
TOLERANCES UNLESS OTHERWISE SPECIFIED:		APVD 12-21-04 M. WALMSLEY	SHIELDING ENCLOSURE KIT, RECEPTACLE, SIZE 3, 44 POSITION, AMPLIMITE, HDP-22	
0 PLC ± - 1 PLC ± - 2 PLC ± - 3 PLC ± .020 4 PLC ± - ANGLES ± -		PRODUCT SPEC 108-40005 & 108-40030	SIZE A2	RESTRICTED TO
MATERIAL	FINISH	APPLICATION SPEC 114-40030	CAGE CODE 00779	DRAWING NO 5748641
4	5	WEIGHT -	SCALE 2:1	SHEET 1 OF 1 REV A
CUSTOMER DRAWING				